



ASTON MARTIN

Accessory Fitting Instructions REVERSE CAMERA

Part Number:	DG33-37-10717
Applicable Vehicles:	Vantage Coupe & Roadster
Model Years:	13MY onwards
VIN Range:	C17110/D171113/S01265/S21269 onwards
Installation Time:	3 hours

This reverse camera kit can only be fitted to the vehicles specified above. **The vehicle must have the correct factory-fitted Satellite Navigation system installed from new.** If in doubt, please contact Aston Martin Parts Operations.

Part Name	Quantity
Camera	1
License Plate Lamp Housing	1
Camera Bracket	1
Screws	2
Config File Update	1

Note: Please ensure all parts in the above list have been supplied and config file has been ordered prior to starting installation.

Workshop Procedure

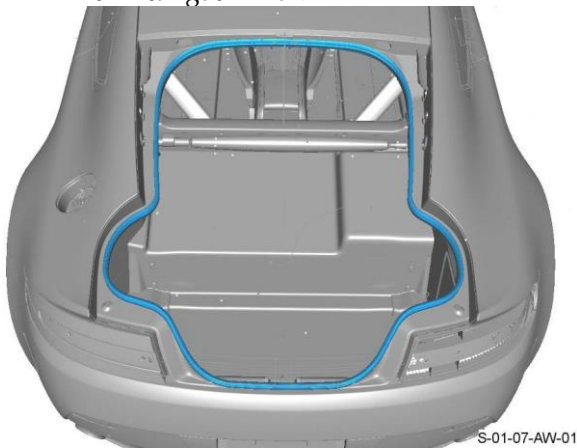
Preparatory Steps

1. Perform battery cut-off procedure.

Bumper Removal

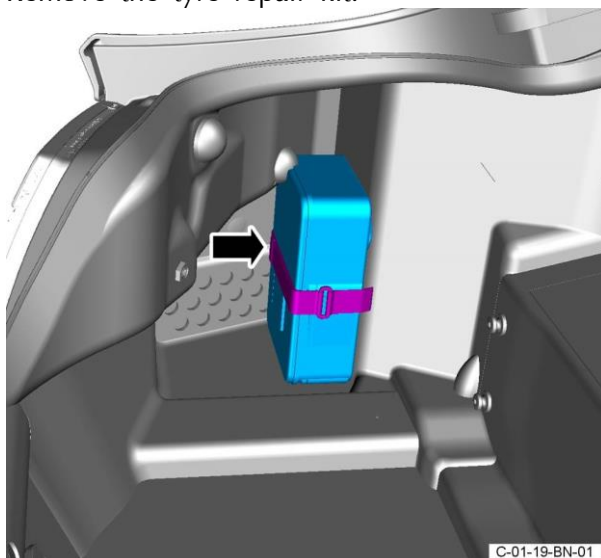
Remove for Access

1. Remove the left side rear wheel-arch liner (01.02.JB - Rear Left Side Wheel-Arch Liner).
[\[Open Workshop Manual Procedure\]](#)
2. Remove the right side rear wheel-arch liner (01.02.HB - Rear Right Side Wheel-Arch Liner).
[\[Open Workshop Manual Procedure\]](#)
3. Open the tailgate.
4. Remove the tailgate seal.

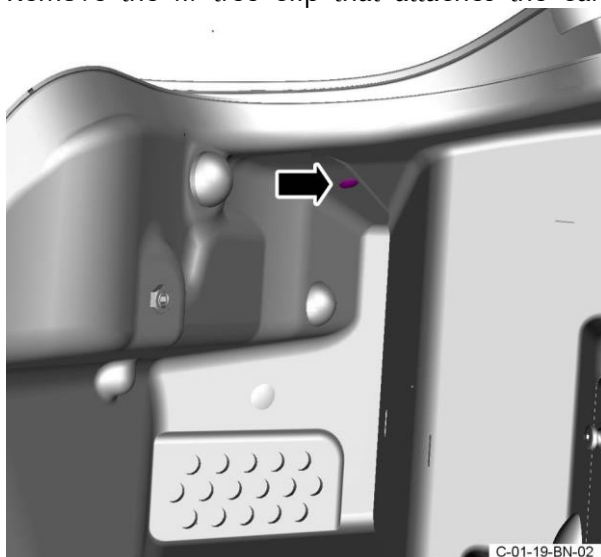


S-01-07-AW-01

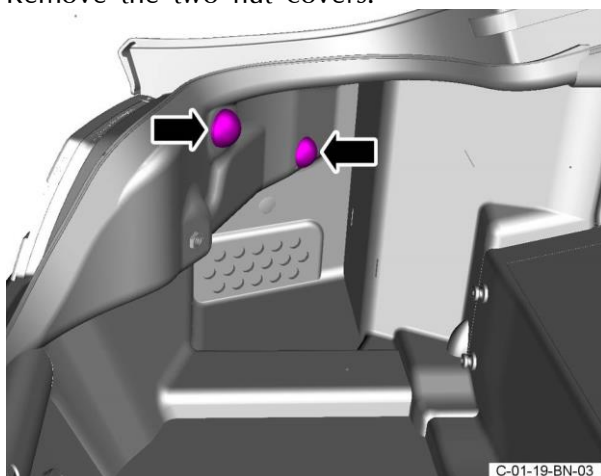
5. Remove the tyre repair kit.




6. Remove the fir tree clip that attaches the carpet to the body.

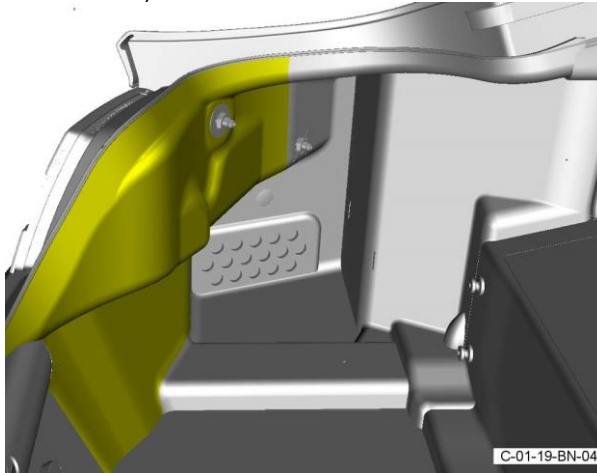


7. Remove the two nut covers.

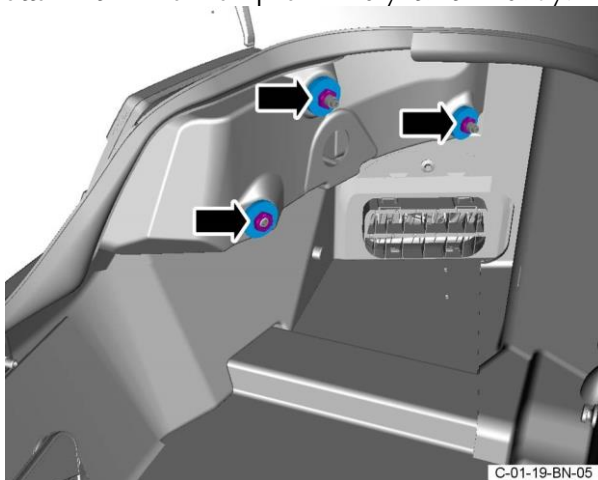


8.  *Note: Adhesive tape has been used to hold the carpet to the body. Make sure that care is taken not to cause damage to the carpet.*

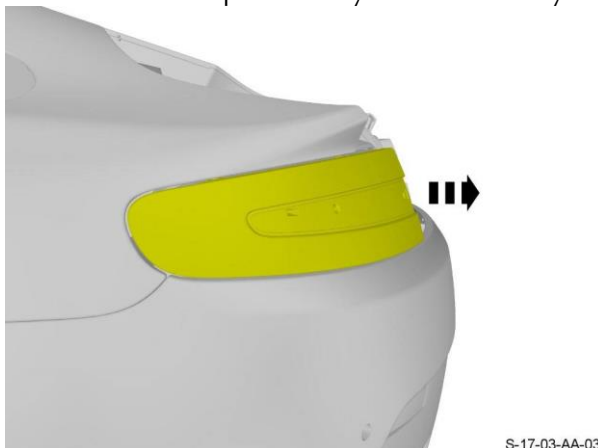
Move the corner carpet to get access to the nuts that attach the rear lamp assembly to the body.



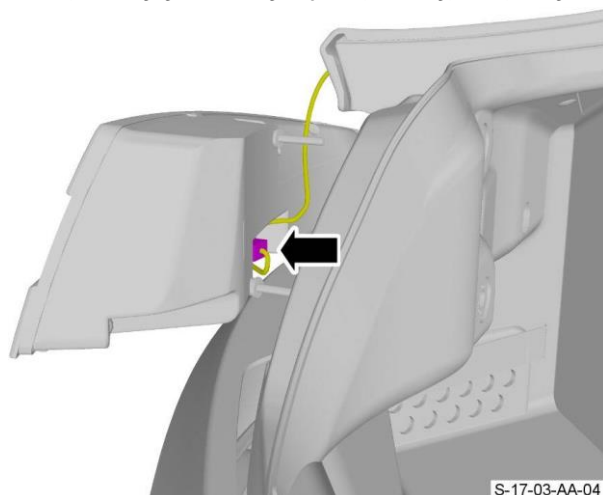
9. Remove the three nuts and collect the three washers and three spring washers that attach the rear lamp assembly to the body.



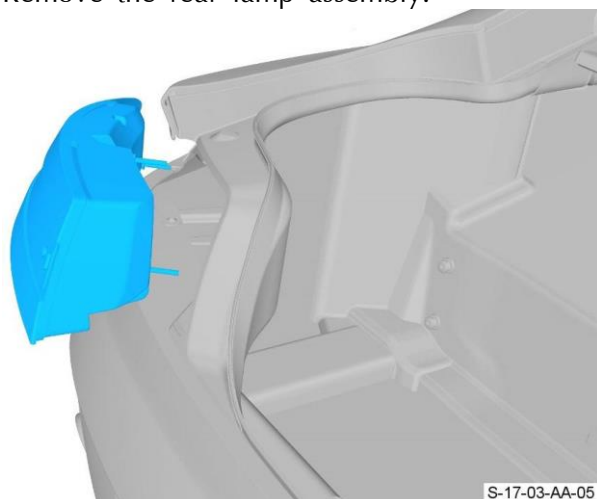
10. Release rear lamp assembly from the body.



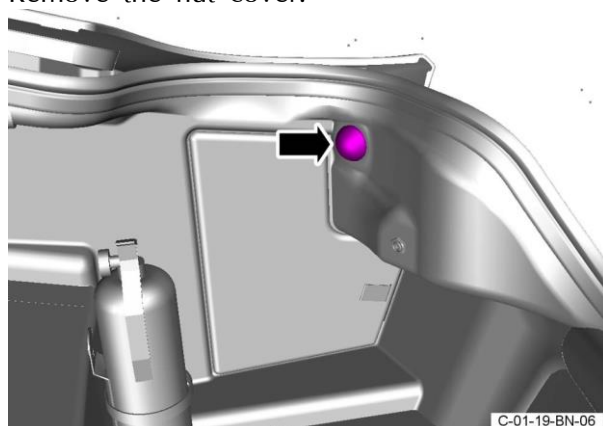
11. Disconnect the electrical connector from the rear lamp assembly.



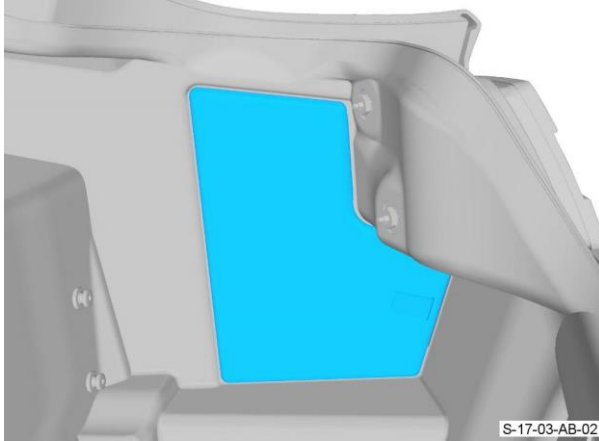
12. Remove the rear lamp assembly.



13. Remove the nut cover.

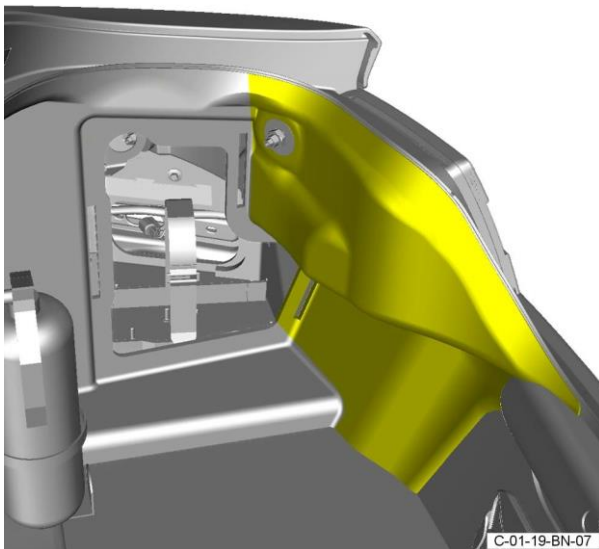


14. Remove the boot trim panel.

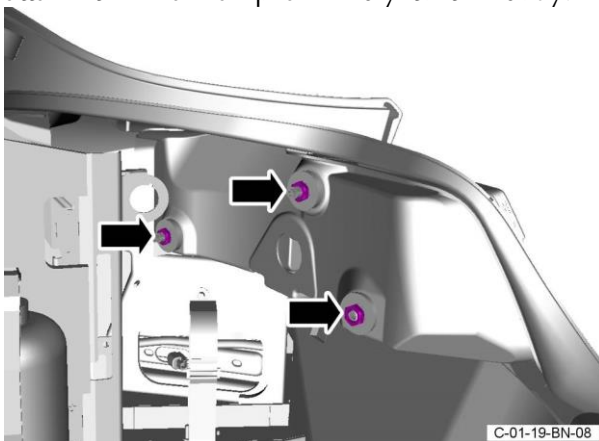


15. ⓘ *Note: Adhesive tape has been used to hold the carpet to the body. Make sure that care is taken not to cause damage to the carpet.*

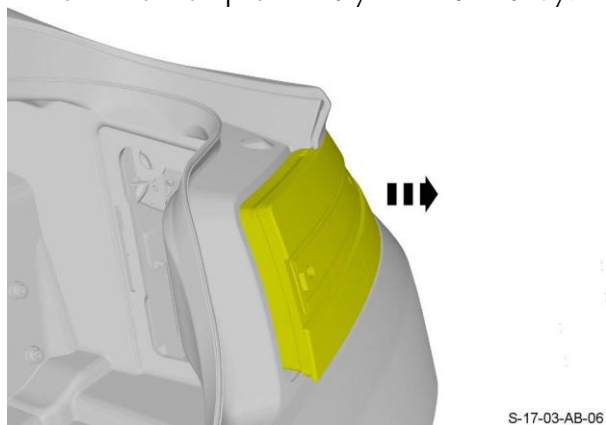
Move the corner carpet to get access to the nuts that attach the lamp assembly to the body.



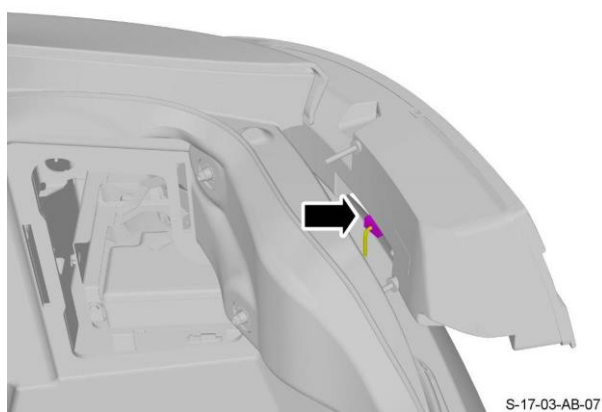
16. Remove the three nuts and collect the three washers and three spring washers that attach the rear lamp assembly to the body.



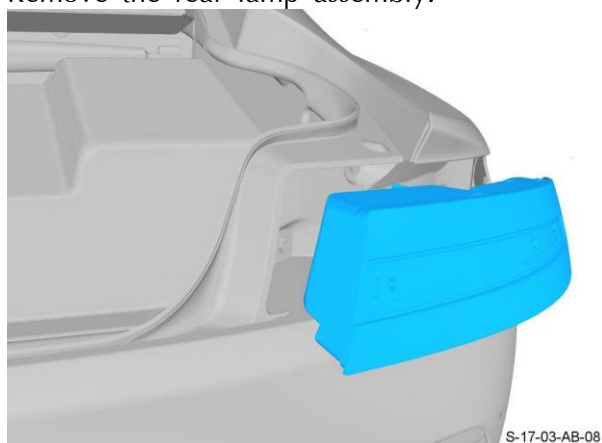
17. Release rear lamp assembly from the body.



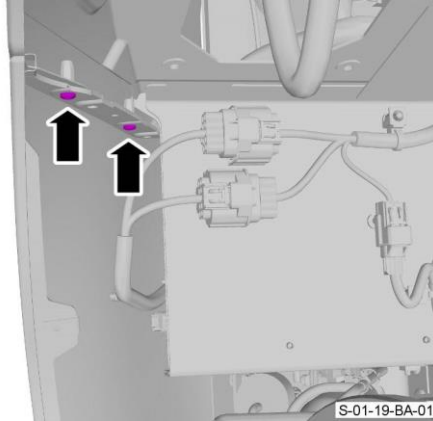
18. Disconnect the electrical connector from the rear lamp assembly.



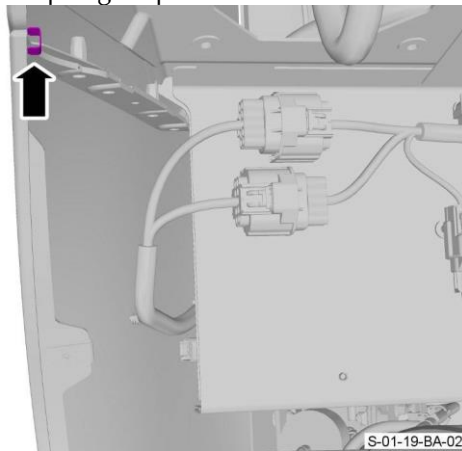
19. Remove the rear lamp assembly.



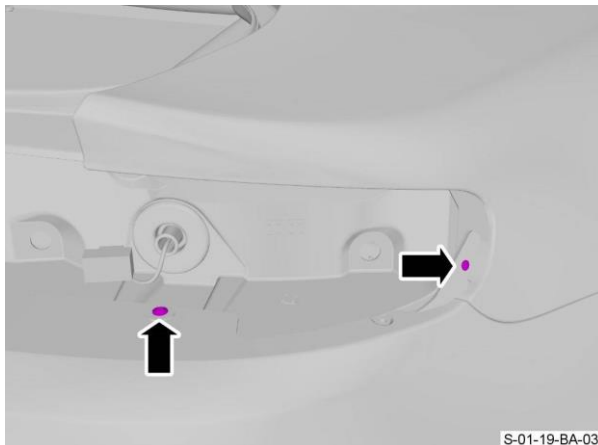
20. Remove the two bolts that attach the rear bumper cover to the body.



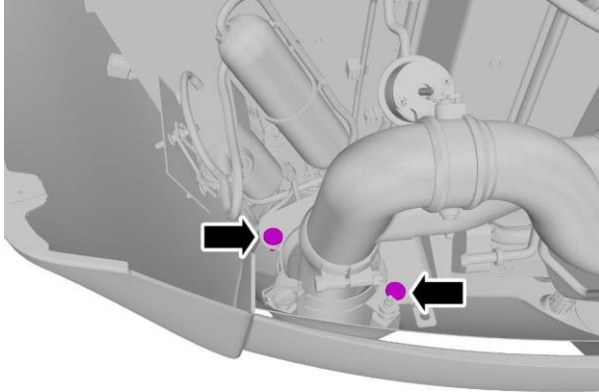
21. Remove the spring clip that attaches the rear bumper cover to the body.



22. Remove the screw and the Torx bolt that attach the rear bumper cover to the body.

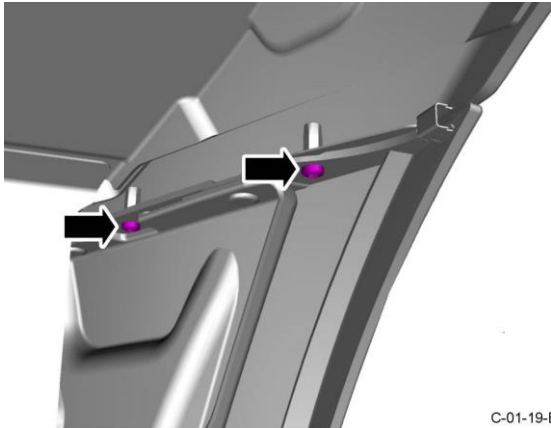


23. Remove the two Torx bolts that attach the exhaust trim finisher to its bracket.



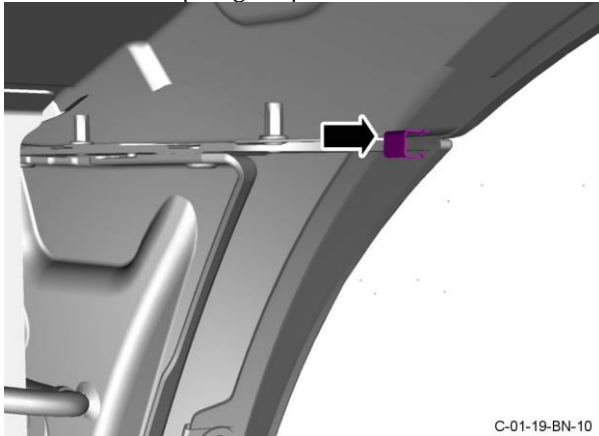
S-01-19-BA-04

24. Remove the two bolts that attach the rear bumper cover to the body.



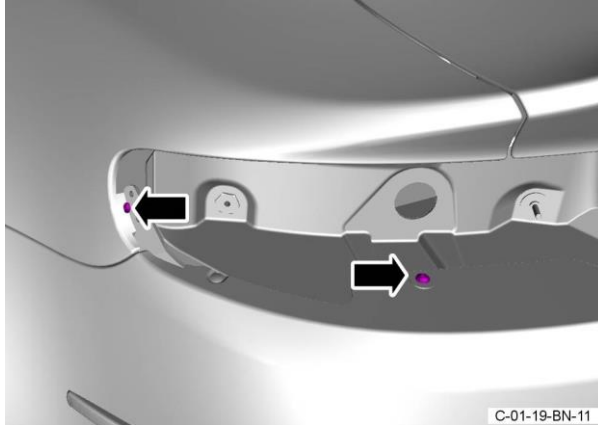
C-01-19-BN-09

25. Remove the spring clip that attaches the rear bumper cover to the body.

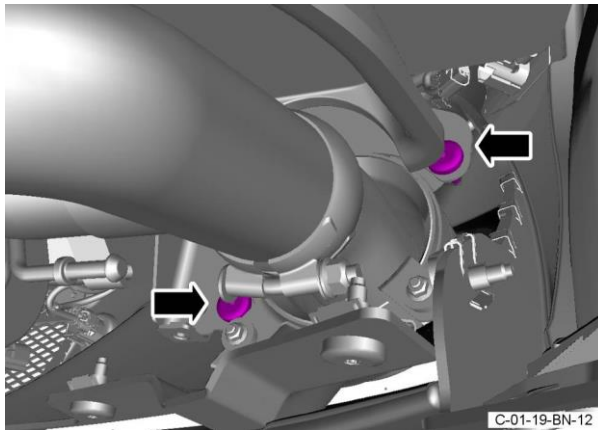


C-01-19-BN-10

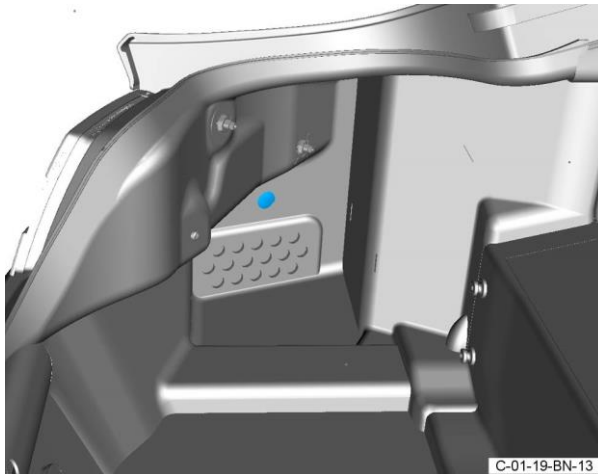
26. Remove the screw and the Torx bolt that attach the rear bumper cover to the body.



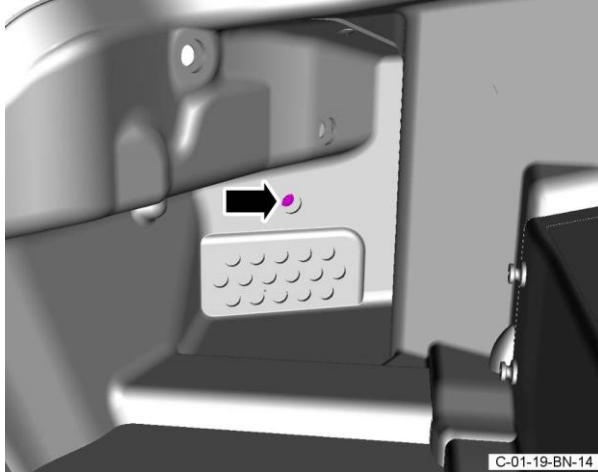
27. Remove the two Torx bolts that attach the exhaust trim finisher to its bracket.



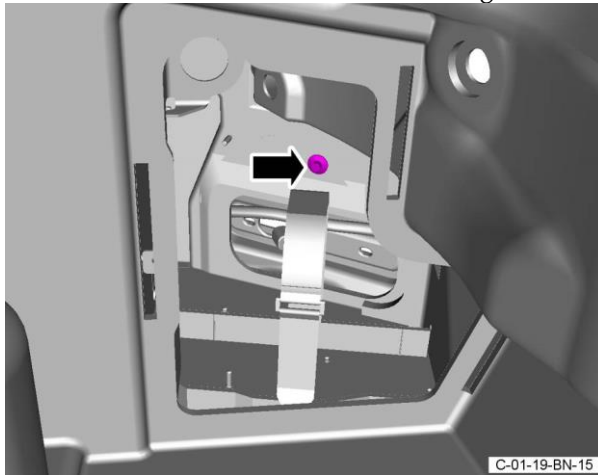
28. Remove the rubber cover from the left side carpet.



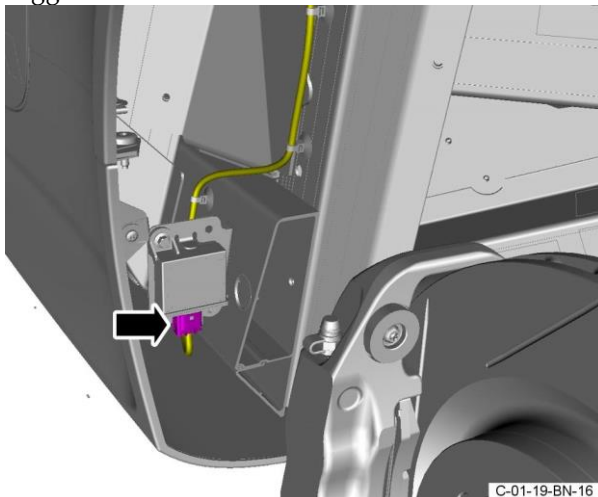
29. Remove the bolt that attaches the left side of the bumper to the body.



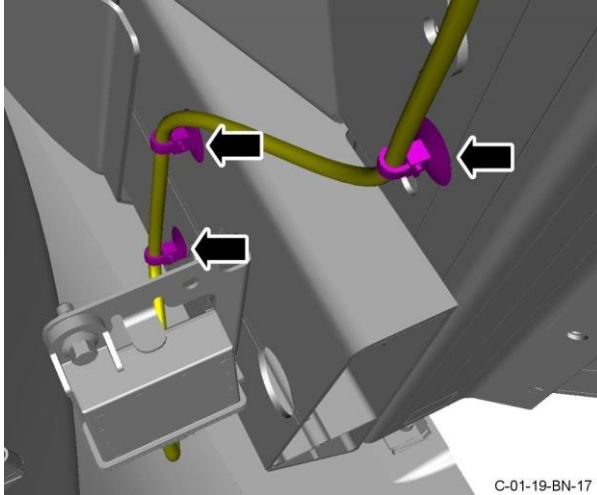
30. Remove the bolt that attaches the right side of the bumper to the body.



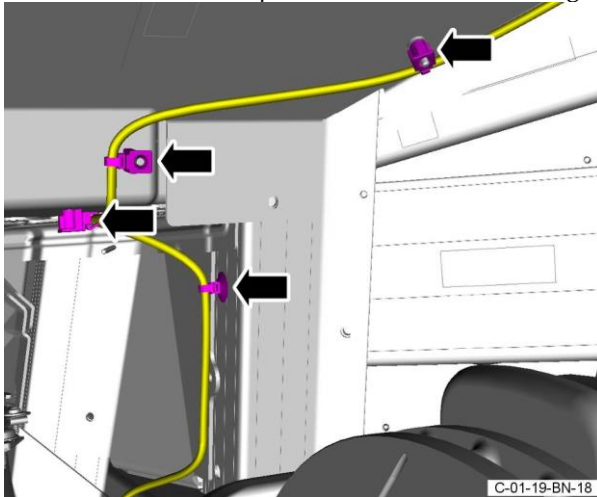
31. Disconnect the electrical connector from the Tyre Pressure Monitoring System (TPMS) trigger.



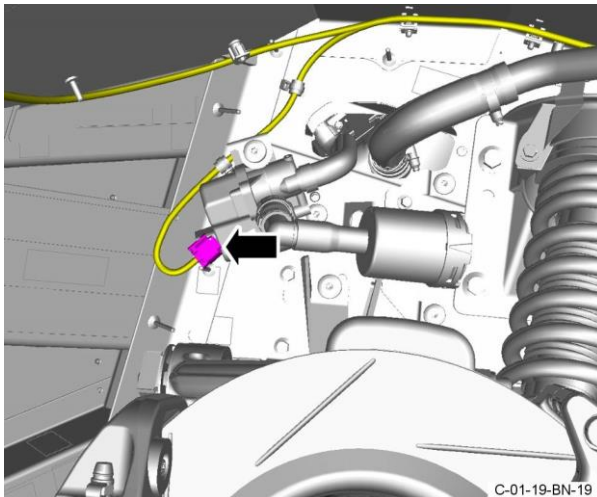
32. Release the three clips that attach the wiring harness to the body.



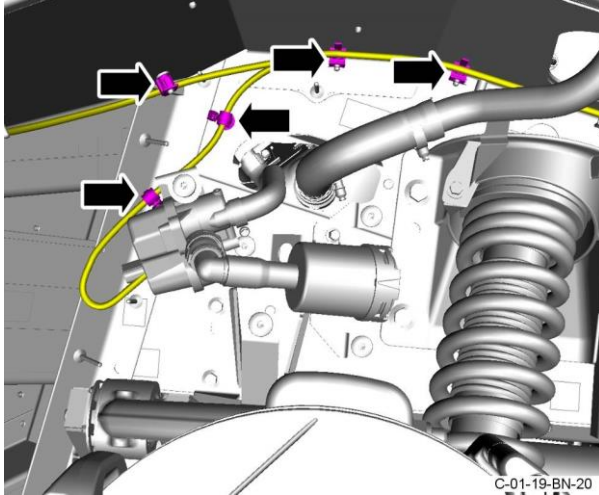
33. Release the four clips that attach the wiring harness to the body.



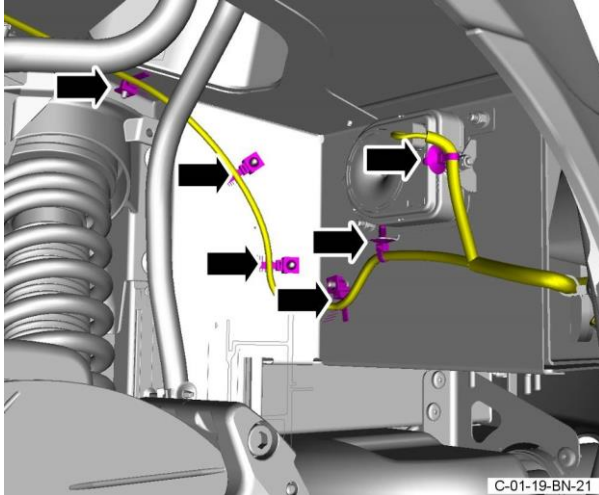
34. Disconnect the electrical connector from the onboard leak detection pump.



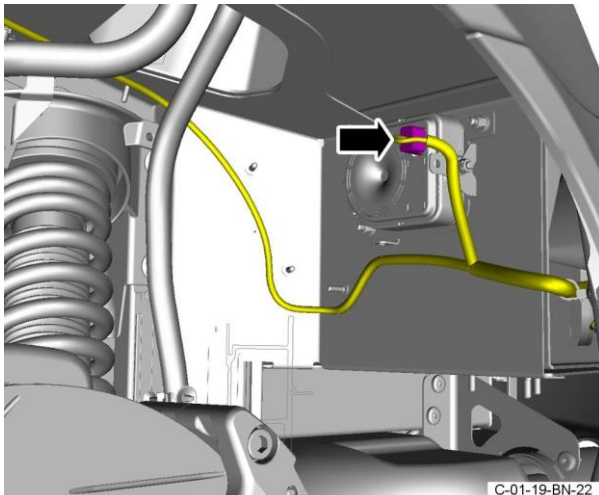
35. Release the five clips that attach the wiring harness to the body.



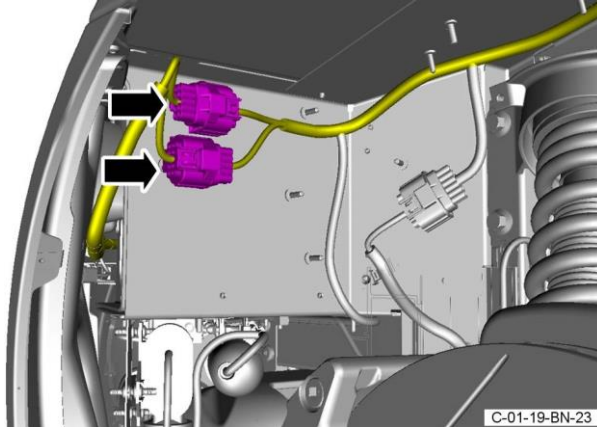
36. Release the six clips that attach the wiring harness to the body.



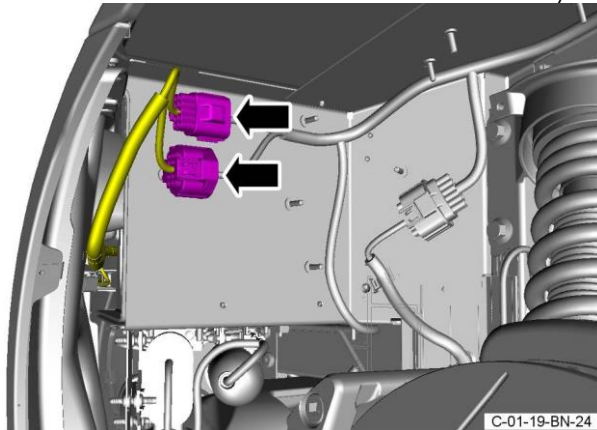
37. Disconnect the electrical connector from the siren.



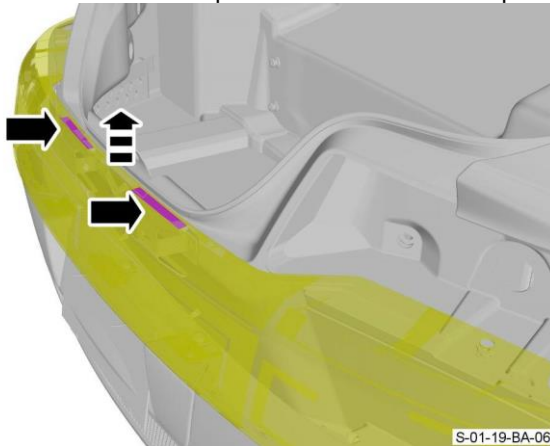
38. Disconnect the two electrical connectors from the wiring harness for the rear bumper.



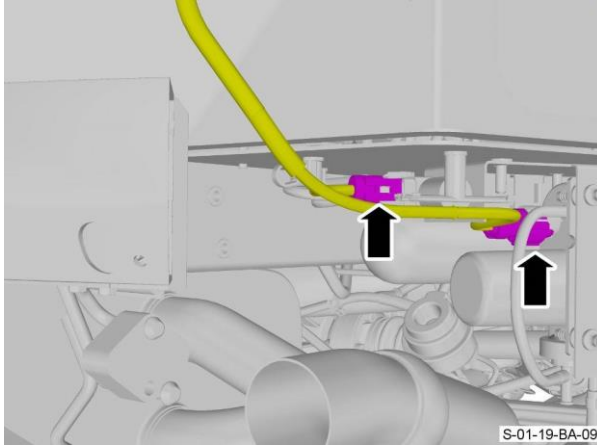
39. Release the two electrical connectors for the wiring harness for the rear bumper from the two studs that attach them to the body.




40. Release the two strips of Velcro at the top of the rear bumper cover.

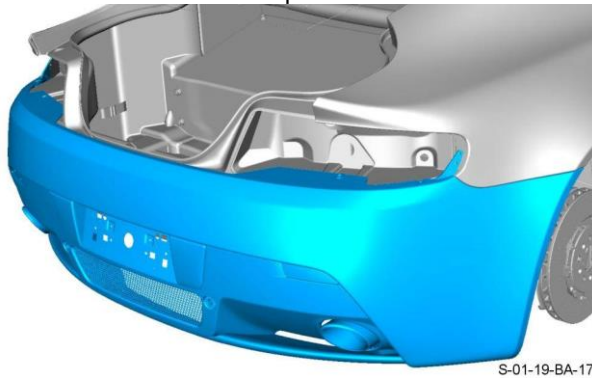


41. Disconnect the two electrical connectors from the vacuum pump and solenoid.



42.  **Caution:** The rear bumper cover is large. You must have the aid of one more technician to do the step that follows.

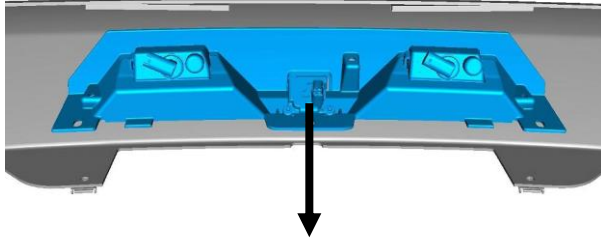
Remove the rear bumper cover.



****CARE POINT - Make sure the bumper is supported on a frame or soft material to avoid scratches and marks on the painted surface.****

License Plate Lamp Bracket (non-camera) Removal

1. Remove the current license plate lamp bracket assembly from the vehicle.

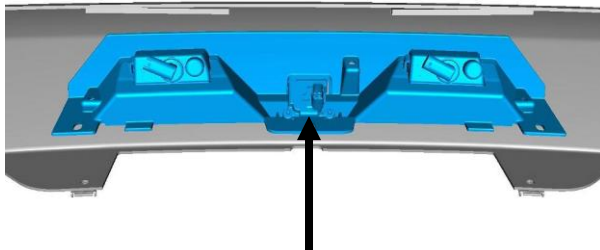


C-01-19-BA-08

License Plate Lamp Bracket (camera) Fitting

Install the new license plate lamp bracket on to the vehicle.

- 1.

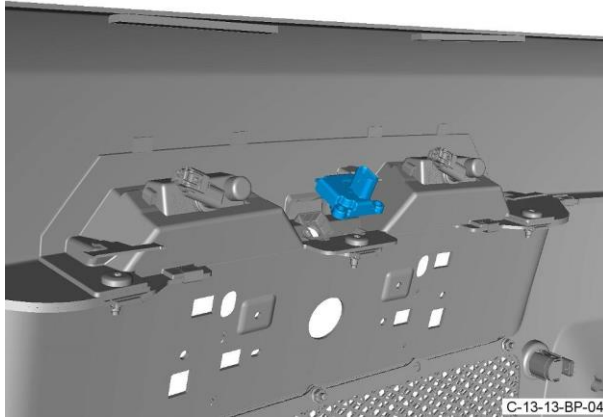


C-01-19-BA-08

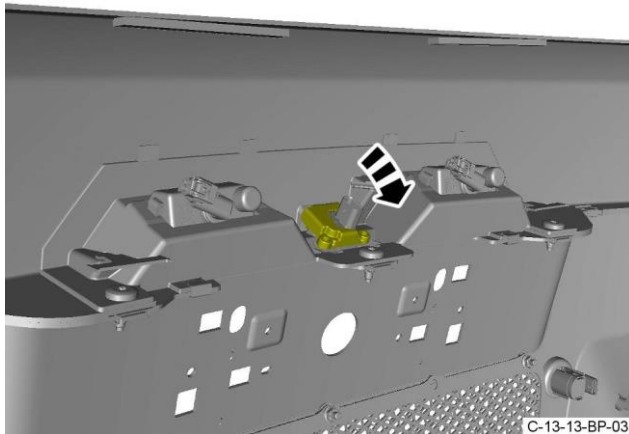
****NOTE**** Ensure the lamp bracket is firmly pressed down and located in the bumper. Failure to do so will result in the top part of the camera image being obscured by the bumper.

Camera Installation

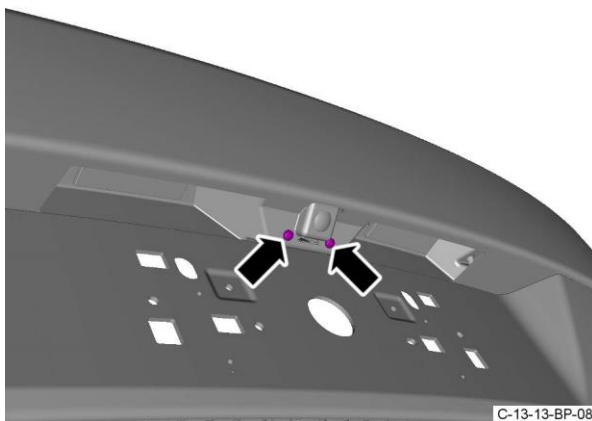
1. Put the rear parking aid camera into position.



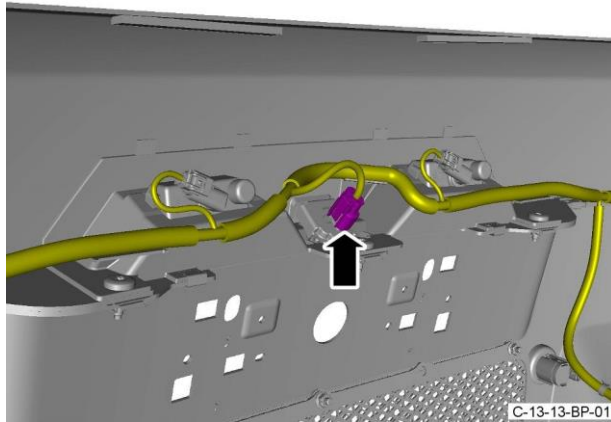
2. Install the bracket for the rear parking aid camera.



3. Install and tighten the two screws that attach the bracket for the rear parking aid camera to the rear bumper cover.



4. Connect the electrical connector to the rear parking aid camera.



Update Config File

1. Update the car config file with the one supplied by Aston Martin Parts Operations. This will enable the activation of the camera video source when reverse gear is selected.

Test

1. Test the operation of the camera. When the vehicle is stationary with the engine running, select reverse gear.
2. Check that the camera image is displayed on the screen correctly.
3. Turn the steering wheel 90 degrees left and 90 degrees right to check that the camera guide lines operate correctly.

Re-Assemble

1. Install the rear bumper cover (01.19.BN - Rear Bumper Cover). **Installation of the bumper cover is the reverse of the removal steps above.**